

2021 LORDSTOWN ENDURANCE™

\$45,000
Purchase Price¹

250+ mi.
Est. Range Per Charge

7,500 lbs.
Towing Capacity

5.5 Sec.
0 – 60 MPH Time

2021
Expected Start of
Production

4,200 lbs.
Curb Weight

**500% Improved Fuel
Economy,**
Equivalent to 75 mpg

~65%
Est. Reduction in Annual
Maintenance Costs vs.
Similar ICE Pickup Trucks

POLICY PRIORITIES

Charging Infrastructure



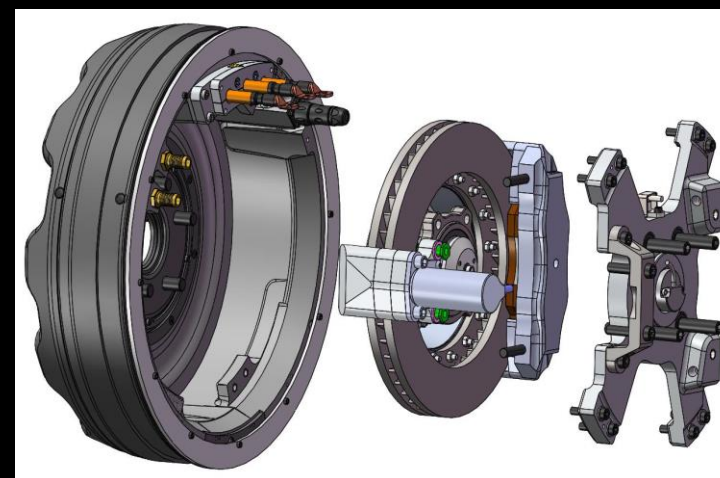
EV Incentives for Fleets



Sales and Distribution Access



Training and Workforce Development

LMC HUB MOTOR

¹ Inclusive of \$7,500 federal tax credit